

**KOOLAIRE**

By  MANITOWOC

## ES series 1060 Ice Cube Machine

Model:  ES1062A-251  ES1063W-251



ES-1060 Ice Machine  
on E-570 Bin

- Up to 1107 lbs. (502 kgs.) daily ice production
- Only 30" (76.20) wide
- Removable water distributor tube, water pump and water trough with no tools, easy to clean and maintain
- Food zone designed with soft, round, cove corners
- Food zone is isolated outside with the foaming, energy saving
- The secure isolated control box is easily accessible from the front and removes electricity outside of the food zone, improving overall safety and reliability

### Warranty

- 1- Year parts and 1-year labor

### Specifications

**BTU Per Hour:**  
16,000 (average), 24,700 (peak)

**Compressor:**  
Nominal rating: 1.75 HP

**Refrigerant:**  
R-404 CFC-free

### Ice Machine Electric

220-240/50/1 standard

**Minimum circuit ampacity:**

15.6 amps

**Maximum fuse size:**

20 amps

HACR-type circuit breakers can be used  
in place of fuses

**Operating Limits:**

- Ambient Temperature Range:  
10°C to 40°C

- Water Temperature Range:  
10°C to 32°C

- Water Pressure Ice Maker  
Water In:  
Min. 20 psi (1.38bar)  
Max. 80 psi (5.52bar)

### Cube Size Available



### Dice

7/8" X 7/8" X 7/8"

2.22 X 2.22 X 2.22 (cm)



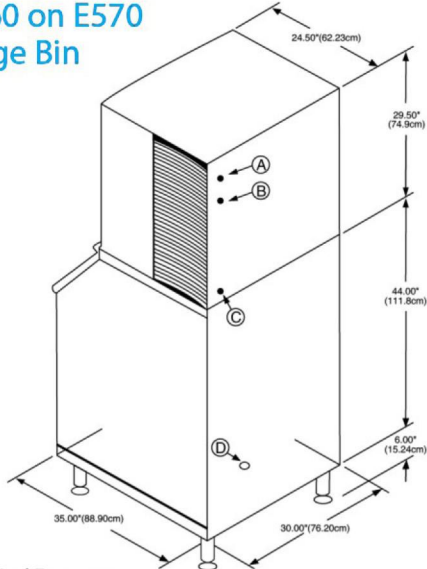
Manitowoc (China) Foodservice Co.,Ltd.  
151 Jianye Road,Binjiang District  
Hangzhou, China 310052

Tel: 86.571.86626680  
Fax: 86.571.86622353

www.welbilt.cn



## ES1060 on E570 Storage Bin



- (A) Electrical Entrance
- (B) 3/4"(1.91cm)N.P.T.Ice Making Water Inlet
- (C) 1/2"(1.27cm)F.P.T.Ice Making Water Drain
- (D) 3/4"(1.91cm)Bin Drain

Installation Note - Minimum installation clearance:  
 Top/sides: 8" (20.32 cm), back: 5" (12.70 cm).

### Space-Saving Designs



	ES1060	E570
Height	79.50"	201.93 cm
Width	30.00"	76.20 cm
Depth	35.00"	88.90 cm
Bin Storage	430 lbs.	195.2 kgs.

Height includes adjustable bin legs 6.00" to 7.00"  
 (15.24 cm to 17.78 cm) set at 6.00" (15.24 cm).

### 24 - Hour Production

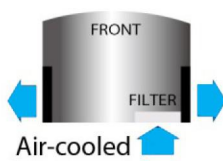
#### Air-Cooled Units

Air temp	Water temp			
	10°	15°	21°	32°
10°	502			
21°	481			
25°	407			
32°	367		362	
40°				256

Model	Ice Shape	Ice Production 24 Hours		Power Usage KWH/100lbs. @32°C Air/21°C	Water Usage /100lbs. of ice
		21°C Air/10°C Water	32°C Air/21°C Water		
ES1062A-251	dice	1060 lbs.	798 lbs.	6.3	53 L
		481 kgs.	362 kgs.		
ES1063W-251	dice	1094 lbs.	994 lbs.	4.48	50.8 L
		496 kgs.	451 kgs.		

Order ice storage bin separately.

#### Air Flow Top View



#### Attempts to prevent the piston



Drain with a cover to avoid ice block

#### Easy to assemble sink



Removable water trough with no tools

#### Easy to assemble the pump



The water pump is accessible from the front of the machine and easily removed